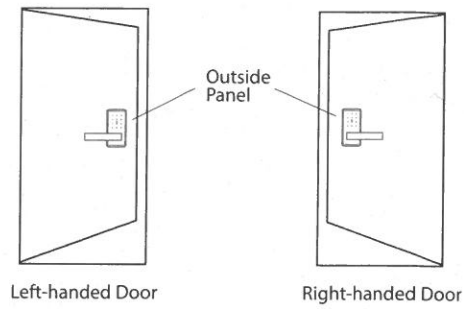


Yale EC800 Digital Leverset

INSTALLATION MANUAL

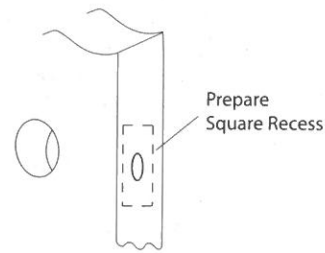
All dimensions in millimetres

1 Check door handing

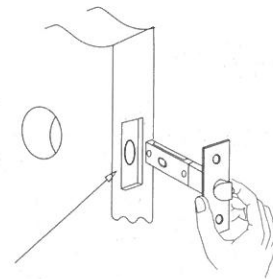


- This lock is suitable to door thickness 35 to 51 (mm) of plastic, steel and wooden doors.
- Make sure correct installed lock to left-handed or right-handed door.

3 Installing the latch



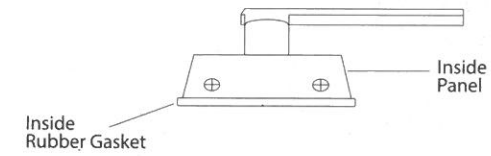
- Make a square recess 58 x 27 x 3.5 (mm), on door edge Ø25mm hole align with same center.



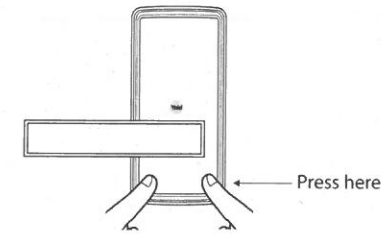
- Insert the latch into the Ø25mm hole and fix by screws provided.

5 Installing inside panel

5.1 Remove inside rubber gasket

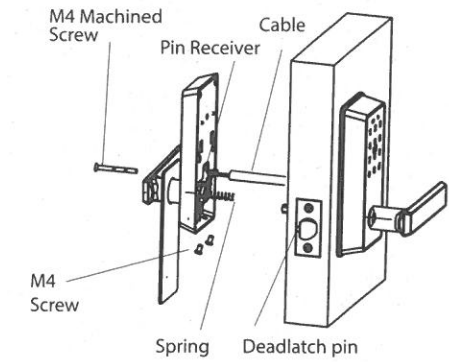


- Remove the two small M4 screw located under the panel. Then remove the rubber gasket and metal plate of Inside Panel.



- Press the Inside Panel corners to open cover.

5.3 Fix the inside panel

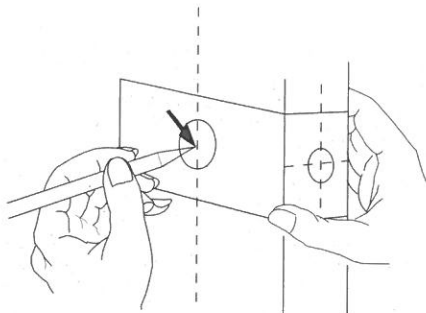


- Connect the cable to the pin receiver carefully.
- Insert spring to handle square hole into the inside panel.
- Install the inside panel by tighten M4 machined screw.
- Tighten 2 x M4 screws located at the bottom of panel.

Warning:

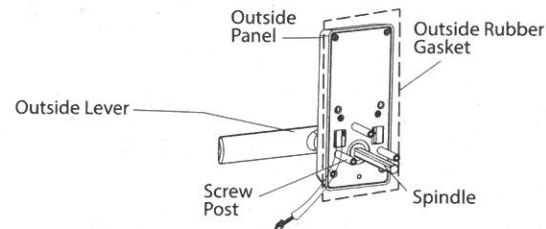
- Do not pinch the cable when install the inside panel.
- Make sure not to break the cable.

2 Marking and holes drilling

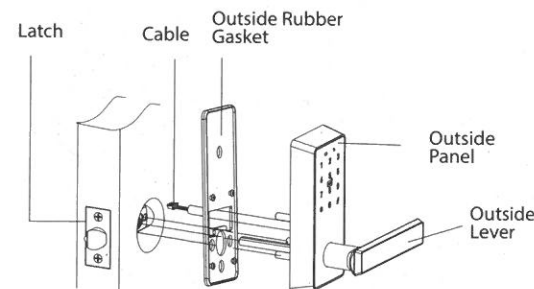


- Label provided door template on door.
- Drill a Ø54mm backset hole from the edge of the door, then Ø25mm hole at the middle of the door edge.

4 Installing outside panel

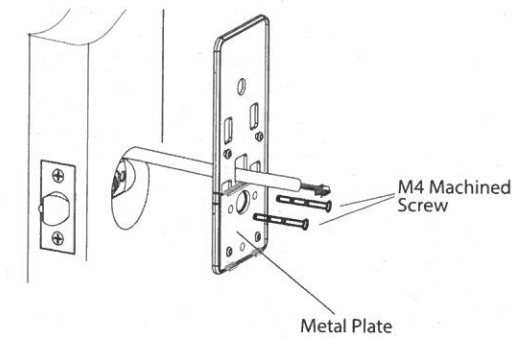


- Insert the spindle into square hole at back of outside panel.



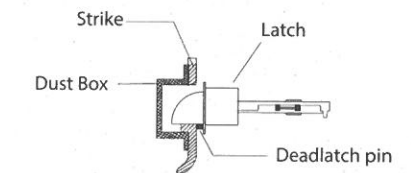
- Install outside panel by passing through the spindle and a screw post into the latch.

5.2 Fix the inside rubber gasket

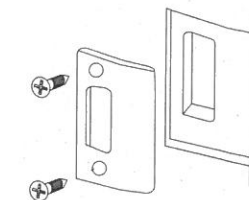


- Pass the cable through the inside rubber gasket, then tighten M4 machined screw across metal plate and rubber gasket with outside panel.

6 Installing the strike plate



- Set the strike plate to the same height as the latch. The latch should fit into the strike, but the deadlatch pin should not go into the strike.

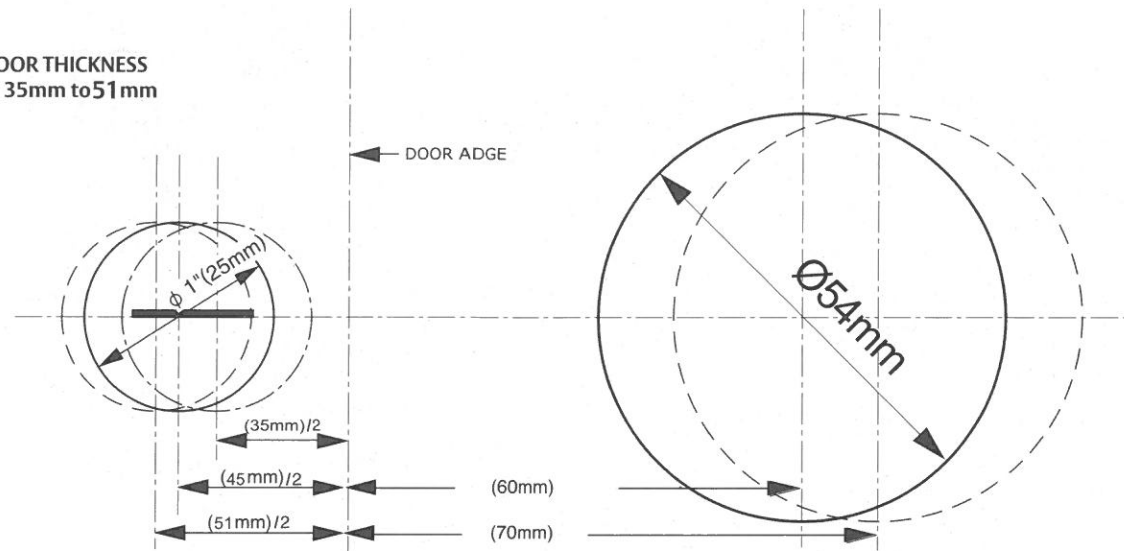


- Tighten the wooded screws to the strike plate with dust box into door frame.

Ver1.03

DOOR TEMPLATE

APPLICABLE DOOR THICKNESS
RANGES FROM 35mm to 51mm



ALWAYS LOCATE THE HOLE CENTER
ON THE CENTER LINE OF THE DOOR EDGE