



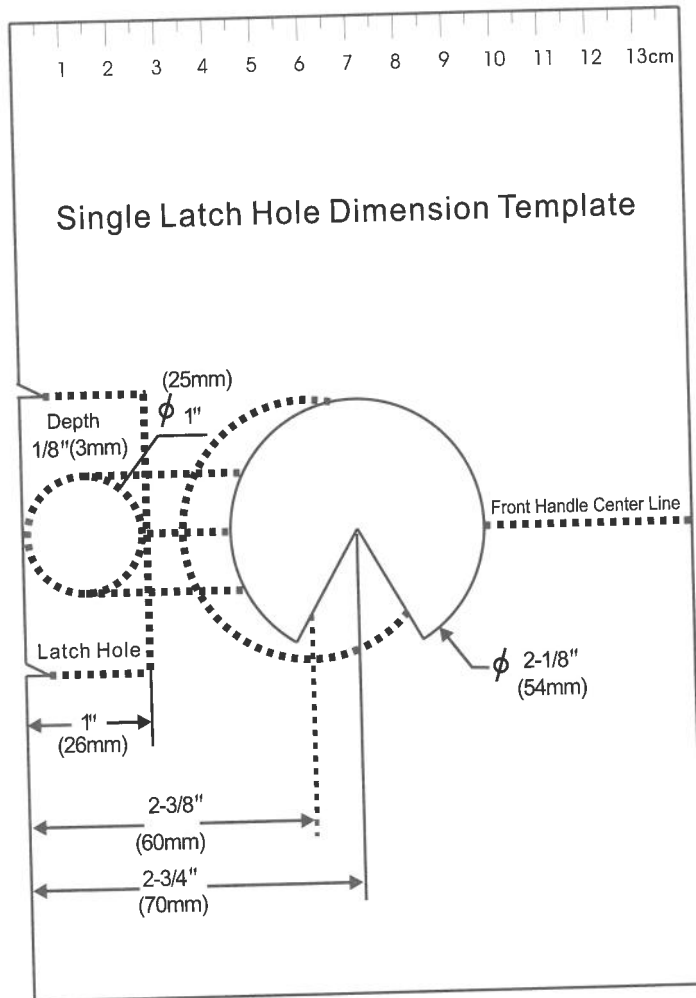
User's Guide

Essential Series YDME - 50

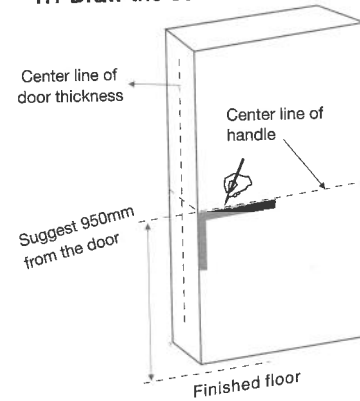


Installation

1. Hole Drilling

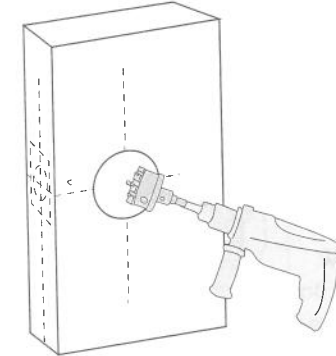


1.1 Draw the center lines



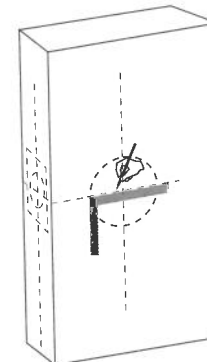
From nished door, measure desired height (950mm as recommended) on door. Stretch it to a horizontal line cross 3 sides of the door. Draw a vertical line on the center of the door edge.

1.3 Drill holes on the door faces



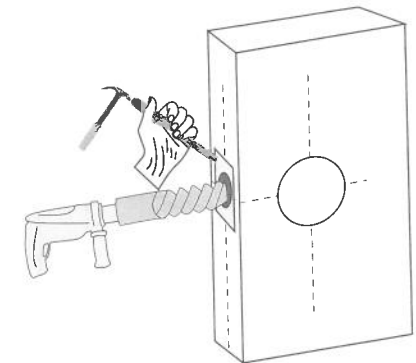
Tips: Drill halfway from each side of the door.

1.2 Mark the positions of all holes according to the template



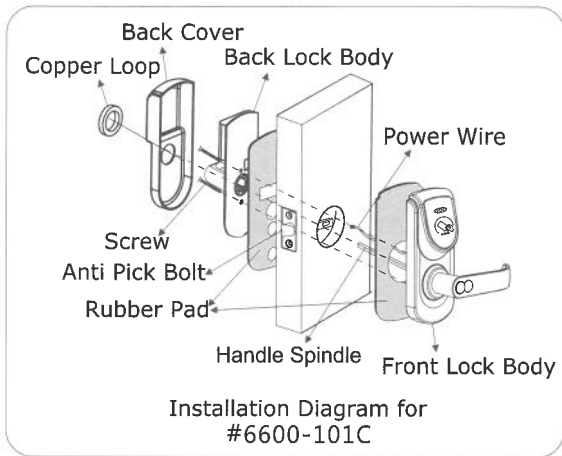
Tips: Mark the hole positions on the back of door in same way. The hole on the door edge is on the center of door edge.

1.3 Open the hole on the door edge

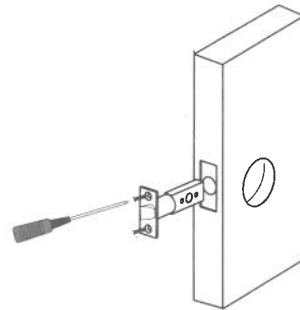


Note: The part with colour should be opened only to a depth of 3mm.

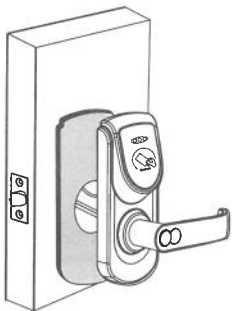
2. Lock Installation



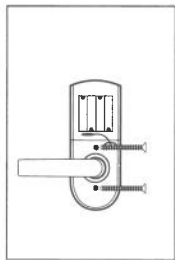
2.1 Install the latch



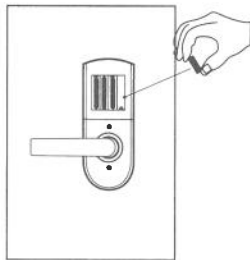
2.2 Install the front lock body



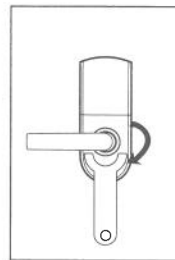
2.3 Install the back lock body



2.4 Install batteries (4X1.5V)

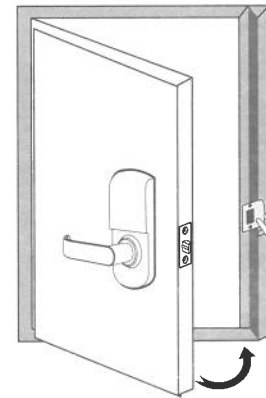


2.5 Fix the back cover

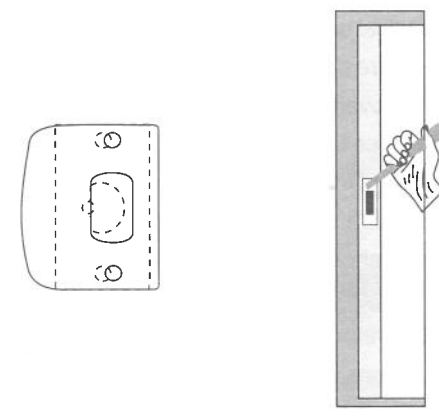


3. Strike Plate Installation

3.1 Locate the strike plate

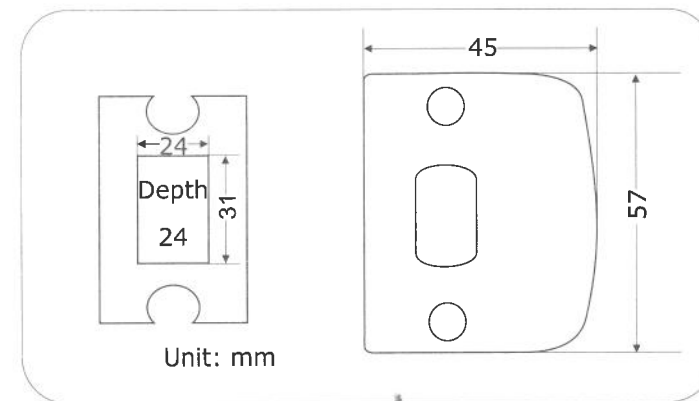


3.2 Open the hole on the door frame with a chisel



Match the strike plate on the latch properly by your hand as the above picture shows. Try closing the door and mark the position of the strike plate on the door frame

3.3 Install the plastic slot and strike plate



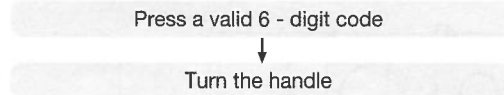
Operation Instruction

1. Important tips:

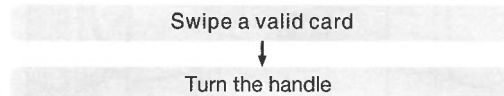
- 1.1 The factory default master code is "111111". Please change the master code on the initial use referring to 2.5. After the master code is changed, all existing users are deleted automatically.
- 1.2 Carefully keep the override key, take one override key with you and put the spare key in the office or car in order to avoid power failure of door lock.
- 1.3 Sound definitions : One short beep indicates a sound of key pressing ; One long beep indicates a successful operation; two short beeps (three times) indicates this user exists; three short beeps indicate a failed operation ; four very short beeps indicate low voltage or full voltage.
- 1.4 If a code is wrongly input for 3 times, the keypad is shut down for 10 seconds.
- 1.5 The lock can store 78 codes and 30 card users.
- 1.6 Do not use corrosive cleaner liquid on lock surface. Clean it with furniture spray wax in time.

2. Operation

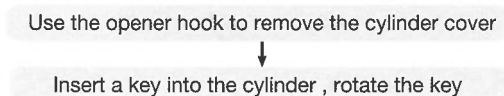
2.1.1 Unlocking Door with a Code



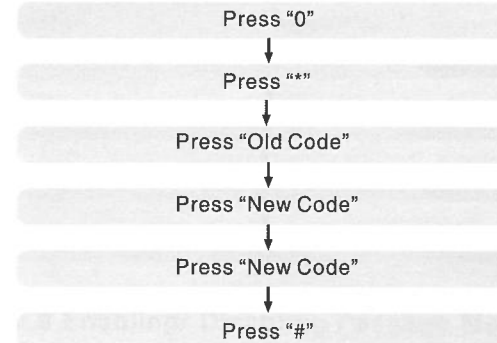
2.1.2 Unlocking Door with a Card



2.1.3 Unlocking Door with an Override key



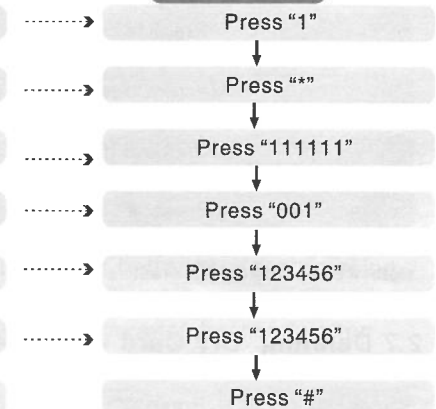
2.2 Changing Code (Master Code or User Code)



2.3 Enrolling Code User

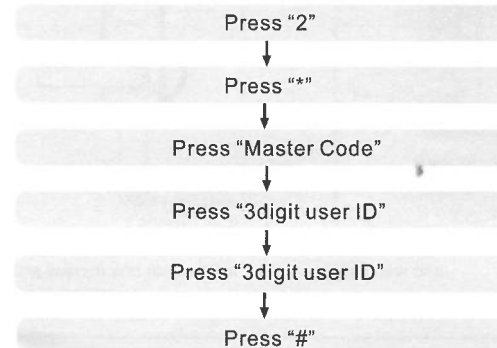


Example



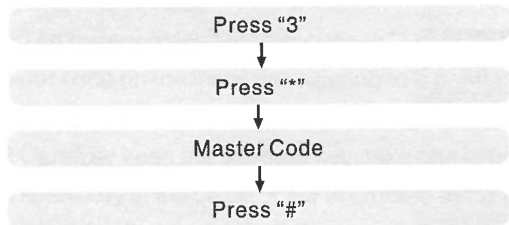
Note: # can not be used to create a user ID. A user ID is a random 3-digit number. A user code is a random 8-digit number

2.4 Deleting Code User

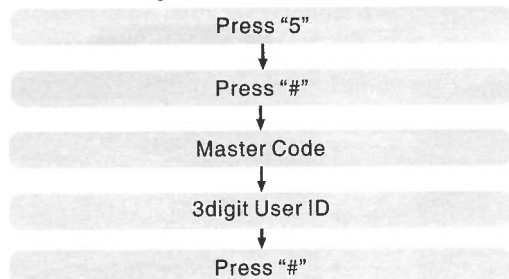


Operation Instruction

2.5 Deleting All Code User

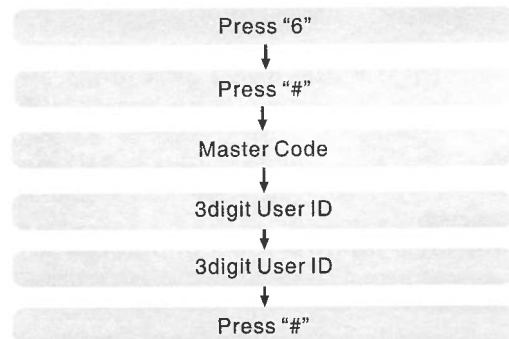


2.6 Enrolling DIY Card User

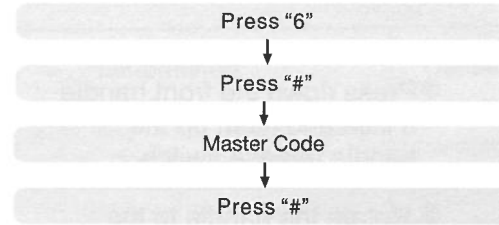


Note: # can not be used to create a user ID. A user ID is a random 3-digit number. A code user ID can be same as a card user ID.

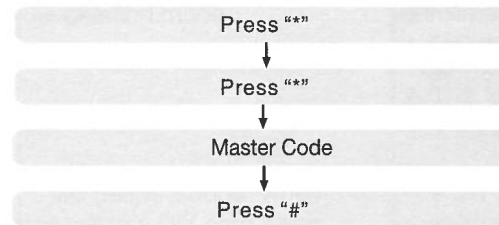
2.7 Deleting DIY Card with User ID



2.8 Deleting All DIY Card User



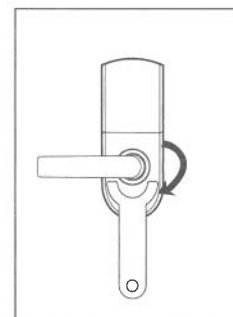
2.9 Enabling/ Disabling Passage Mode



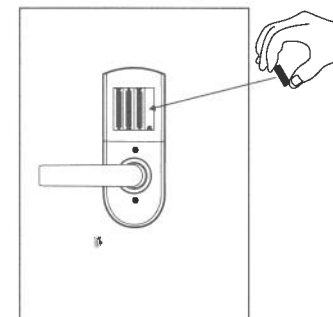
2.10. Reset

Connect the power wire on the front lock body with the batteries. Keep pressing the RESET button on the rear metal plate of the front lock body with a small stick for seconds and press any key to wake up the lock. Operation succeeds after hearing a and all its memory is cleared.

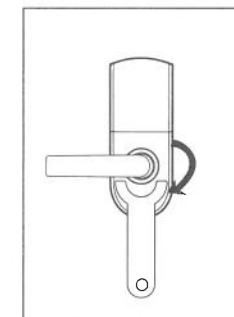
2.11 Change the Batteries



Loosen the copper loop with the wrench and remove the back cover.

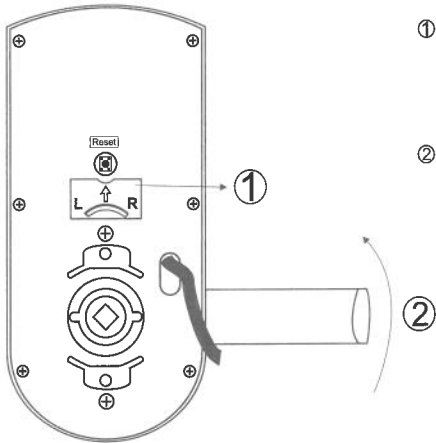


Replace the old batteries with new one.



Fix the back cover and tighten the copper loop with the wrench.

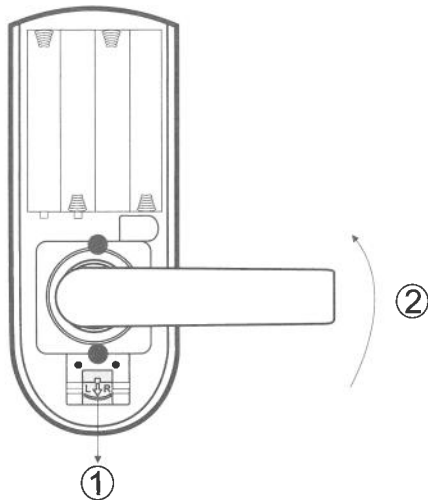
Change Direction of Front Handle



① Press down the front handle a little and push up the handle release switch

② Rotate the handle to the opposite direction

Change Direction of Back Handle



① Press down the back handle a little and push down the handle release switch

② Rotate the handle to the opposite direction

Solutions for Common Error

Phenomenon	Cause	Solution
Four very short beeps sound when opening the door	Low battery voltage	Change the batteries
No response when pressing the keypad	No battery	Change the batteries
Fail to enter the enrollment or deletion mode	<p>1. The code for enrollment or deletion is not the master code</p> <p>2. The operational procedure is incorrect</p>	<p>1. Confirm that you enroll or delete with the master code</p> <p>2. Review the instructions</p>
Two beeps sound when enrolling a DIY card user	The card was once registered	Change an empty card to register